

ORBIS™ WALL MOUNTED MESH CAGE INSTALLATION INSTRUCTIONS



Ensure that personnel carrying out this installation have the relevant qualifications/certificates.
 Ensure that all relevant personnel read the points listed within this leaflet and that a copy is given to staff involved with the installation and maintenance of this product.
 Please refer to 'The Manual Handling Operations Regulations 1992'.
 Glasdon recommends that a full Health and Safety analysis is carried out prior to installation.

EQUIPMENT REQUIRED

10mm Masonary Drill Bit
 Hand Drill

5mm Allen Key
 13mm Spanner or Socket Wrench

KIT CONTENTS

ORBIS MESH CAGE KIT

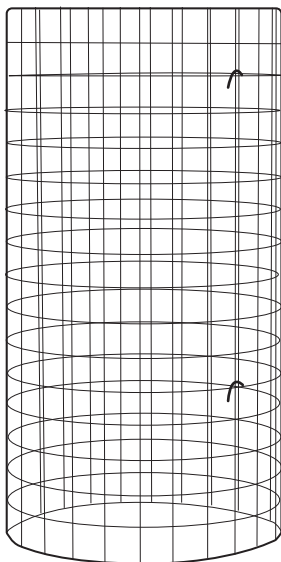
Item 1	Mesh Cage	x1
Item 2	Socket Button Head Screw M8 x 20 s/s	x4
Item 3	Washer Plain M8 s/s	x8
Item 4	Nyloc Nut M8	x4

ORBIS CAGE WALL MOUNT KIT

Item 5	Wall Mounting Bracket	x3
Item 6	Anchor Bolt M8 x 100mm	x12
Item 7	Washer M8 x 20mm	x20
Item 8	Socket Button Head Screw M8 x 80mm	x4
Item 4	Nyloc Nut M8	x4

ORBIS MESH CAGE KIT

Item 1



Item 2



Item 3

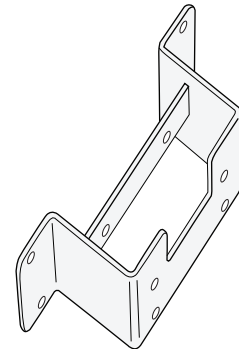


Item 4



ORBIS CAGE WALL MOUNT KIT

Item 5



Item 6



Item 7

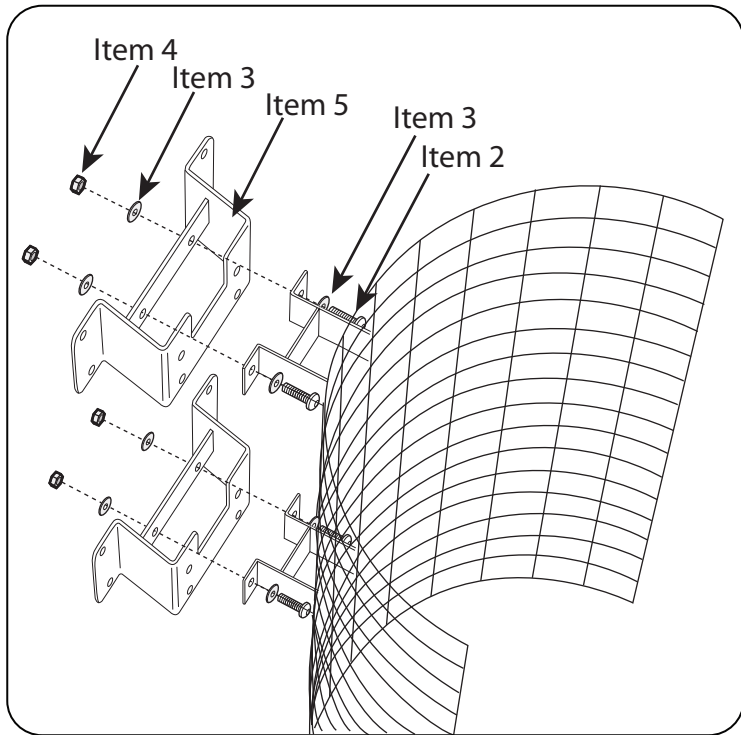


Item 8

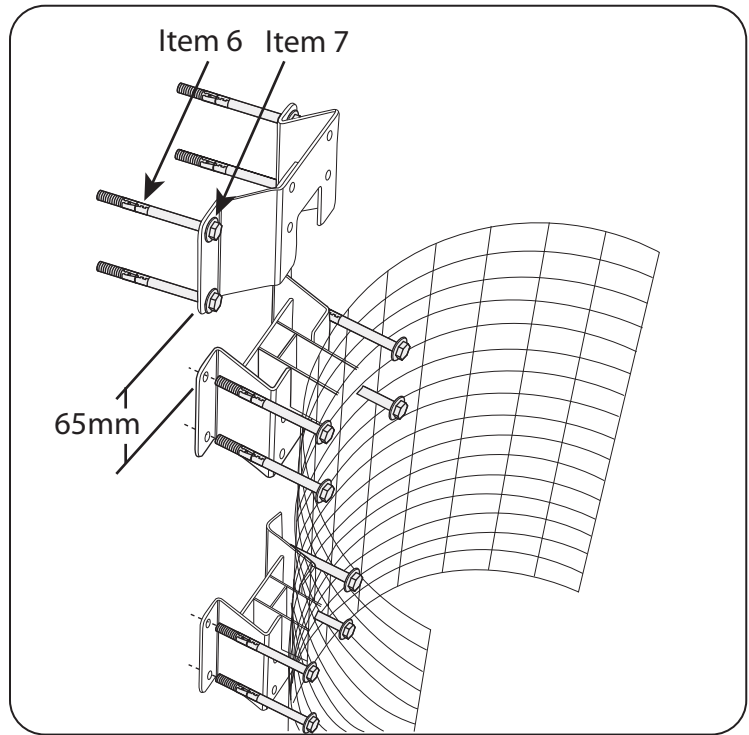


Item 4

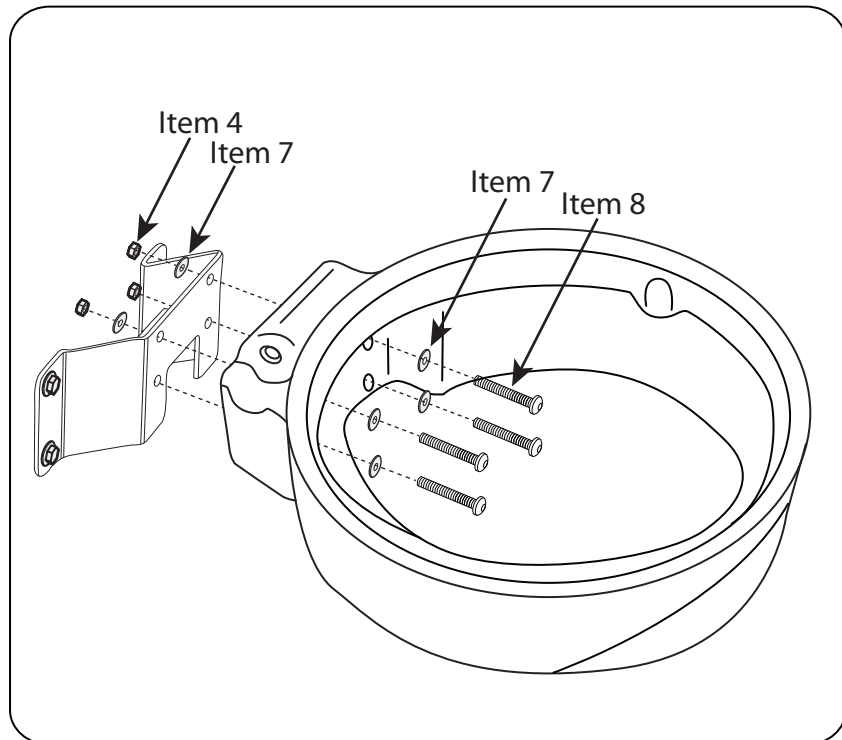




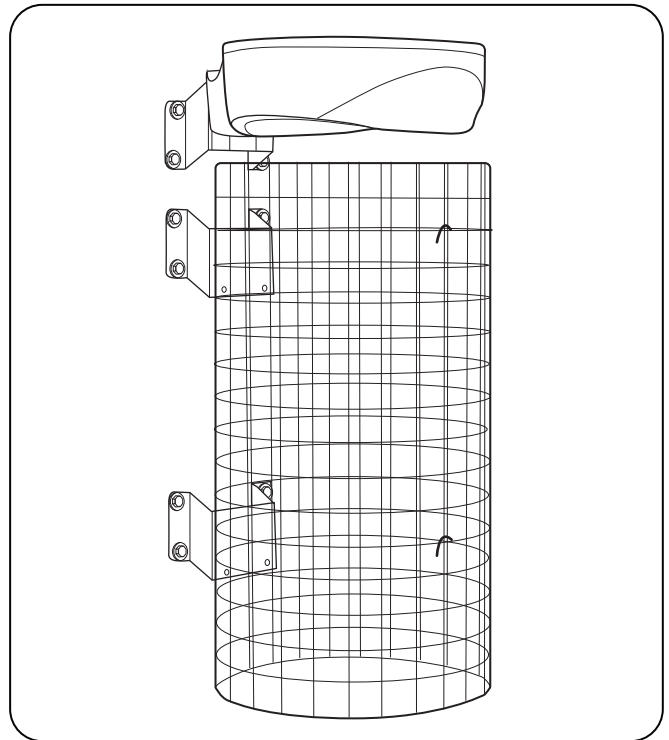
Take the rear cage and align the fixing holes with the two holes on the inside of two Wall Mounting Brackets (Item 5) in the orientation shown. Secure in position using the Screw (Item 2), Washer (Item 3) and Nut (Item 4) provided.



Fix the cage to the wall using the Anchor Bolt (Item 6) and Washer (Item 7) ensuring the cage is located in the correct orientation, at the correct height and level. Next, secure the Orbis Wall Mounting Bracket (Item 5) 65mm above the upper Cage Wall Mounting Bracket. NOTE// The Orbis Wall Mounting Bracket is fixed upside down compared to the Cage Brackets.




Fix the Orbis sack ring to top bracket using Screw, Washer and Nut (Items 4, 7 and 8).



Connect front cage to complete the installation.

IMPORTANT NOTE: PLEASE ENSURE THAT ALL RELEVANT PERSONNEL READ THE POINTS LISTED WITHIN THIS LEAFLET AND THAT A COPY IS GIVEN TO STAFF INVOLVED WITH THE INSTALLATION AND MAINTENANCE OF THIS PRODUCT.

SAFETY NOTE: PLEASE REFER TO 'THE MANUAL HANDLING OPERATIONS REGULATIONS 1992' DURING HANDLING.

 **Glasdon** AND ORBIS™ ARE TRADEMARKS OR REGISTERED TRADEMARKS OF GLASDON GROUP OR ITS SUBSIDIARIES IN THE U.K AND OTHER COUNTRIES

- A planned maintenance schedule or regular inspection is recommended, replacing components as necessary.
- Replacement components are available direct from GLASDON.
- GLASDON cannot be held responsible for claims arising from incorrect installation, unauthorised modifications or misuse of the product.

Issue 1 October 2014 Stock no. C000/0465 Project Number 07-324-92
© Copyright 2014

Glasdon UK Ltd reserve the right to alter specifications without prior notice.



Glasdon
Glasdon U.K Limited
Preston New Road
BLACKPOOL
Lancashire FY4 4UL
Tel: 01253 600410
Fax: 01253 792558
email: sales@glasdon-uk.co.uk
web: www.glasdon.com